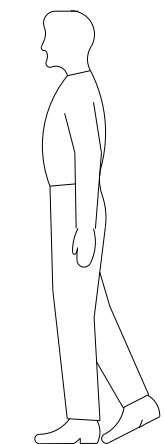
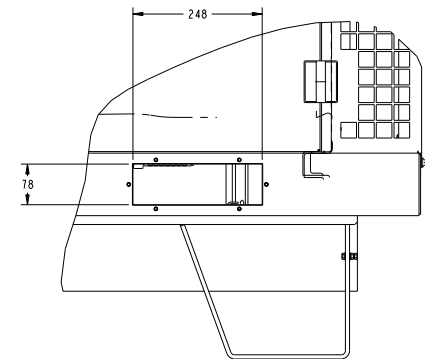


- 1
ECO-1342241 E 1 SEE ECO FOR CHANGES
- NOTES:
- ENCLOSURE OUTLINE WITH STANDARD SKID.
 - THIS OUTLINE IS FOR X INTL SPEC ENCLOSED SET.
 - FUEL TANK CAPACITY 155 LTRS APPROX.
 - ENCLOSED GENERATOR SET LIFT ONLY BY SINGLE POINT LIFTING EYE OR BY FORK LIFT FORKS UNDER BEDFRAME.
 - DO NOT USE THE POCKETS TO LIFT THE ENTIRE GENSET.
 - WEIGHTS AND CG DETAILS MENTIONED IN THE WEIGHT DATA TABLE REPRESENTS A GENSET WITH STANDARD FEATURES.
 - CG DATA MENTIONED IN THE WEIGHT DATA TABLE REPRESENTS WET CONFIGURATION.

WEIGHT AND CG DETAILS						
GENSET MODEL	ENGINE	GENSET DRY WEIGHT (Kg)	GENSET WET WEIGHT (Kg)	CG LOCATION		
				DIM A	DIM B	DIM C
C17D5		880.5	1032.0	753.2	592.4	464.7
C22D5	X2.5 G2	904.5	1056.0	766.7	591.3	464.7
C28D5		927.5	1079.0	777.5	591.4	464.9
C12D6		873.5	1025.0	751.6	592.7	464.7
C16D6	X2.5 G4	891.5	1043.0	757.7	591.9	464.7
C20D6		904.5	1056.0	766.7	591.3	464.7

TORQUE				
PART NO.	SIZE	GRADE	TORQUE (N-m)	DESCRIPTION
0860.2127.23	M24 X 3	8.8	100	EYE BOLT LOCK NUT
0800.6519.06	M16 X 2	8.8	203-249	NA
0800.6520.19	M8 X 1.25	9.8	24-29	NA
0800.6520.54	M12 X 1.75	9.8	82-100	NA



UNLESS OTHERWISE SPECIFIED, ALL DIMENSIONS ARE IN MILLIMETERS		DO NOT SCALE PRINT	DESIGNED BY: P. DESHPANDE	DATE: 08 JUL 09	SCALE: 5/32	PROPERTY OF: CUMMINS POWER GENERATION GROUP	CONFIDENTIAL	ENCLOSURE OUTLINE	0500_5147	1 of 1
ANG TOL: ± 1.0°	SCALE: 5/32	DATE: 08 JUL 09	APP'D: A. MEHTA	DATE: 08 JUL 09	SCALE: 5/32	PROPERTY OF: CUMMINS POWER GENERATION GROUP	CONFIDENTIAL	ENCLOSURE OUTLINE	0500_5147	1 of 1

Part A024T141 E

Description	Legacy Name	External Regulations	Application Status	Release Phase Code	Security Classification	Alternates
OUTLINE,ENCLOSURE	0500-5147	None	Production & Service	Production	Public	

Part Specifications :A024T141 E

Name	Description	Legacy Name
A030B356	SPECIFICATION,MATERIAL	CES10903
A024U388	DRAWING,ENGINEERING	0500-5147