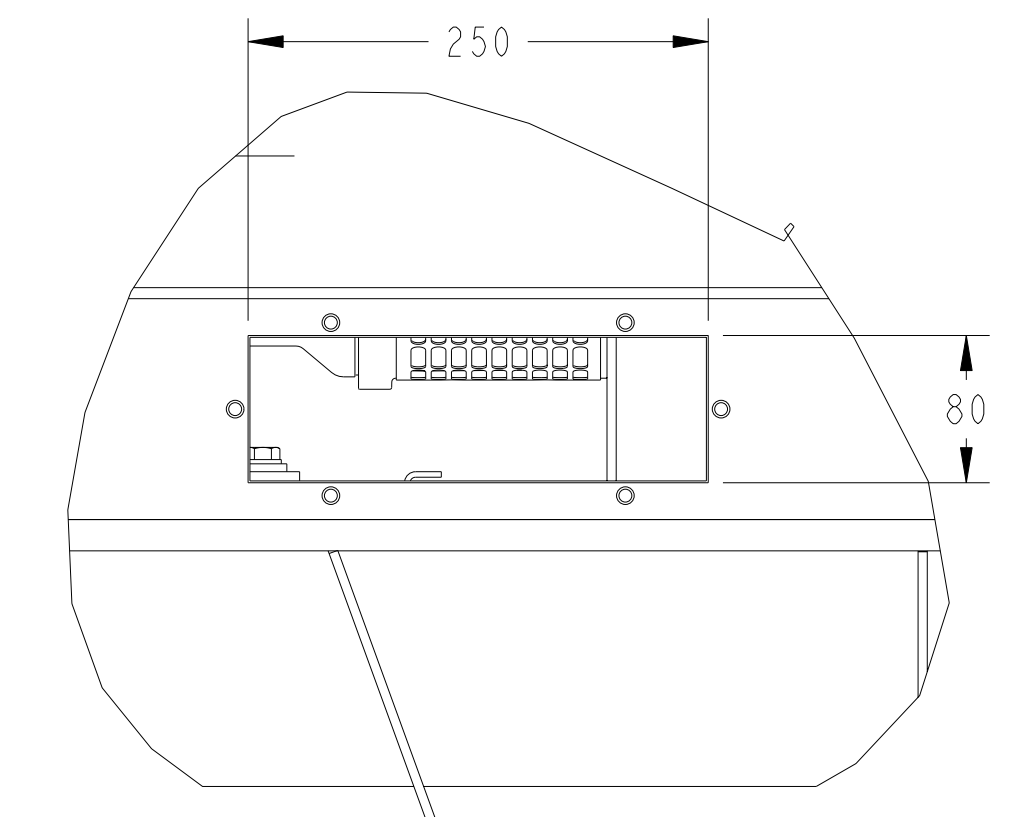
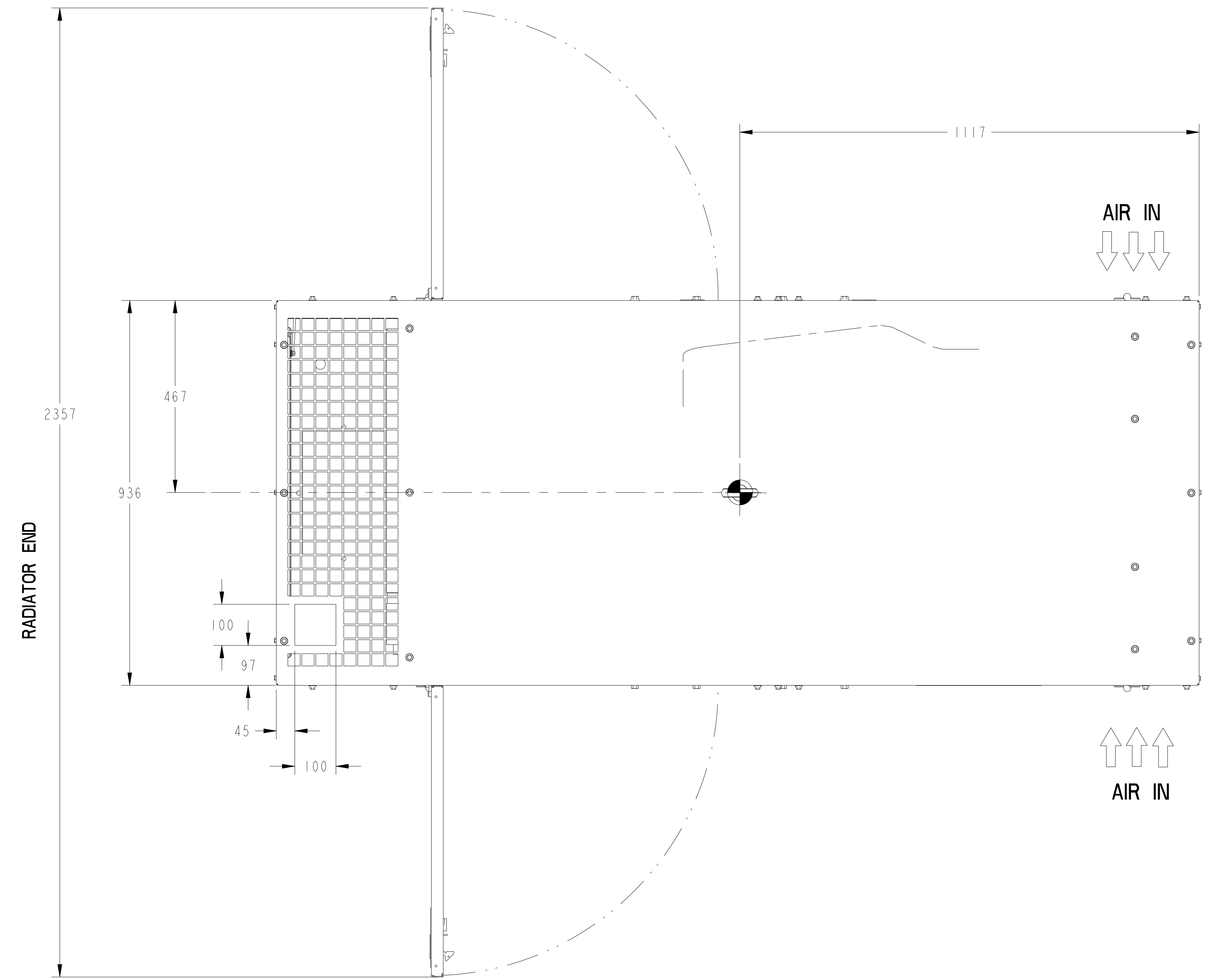


REV. NO.	LD	NO.	REVISION	BY	CHKD.	APVD.	DATE
ECO-134667	B	1	SEE ECO FOR CHANGES	DN	SH	R_THAKUR	15NOV13

- NOTES:
- ENCLOSURE OUTLINE WITH STANDARD SKID.
 - THIS OUTLINE IS FOR X INTL SPEC ENCLOSED SET.
 - FUEL TANK CAPACITY 170 LTRS APPROX.
 - ENCLOSED GENERATOR SET LIFT ONLY BY SINGLE POINT LIFTING EYE OR BY FORK LIFT FORKS UNDER BEDFRAME.
 - DO NOT USE THE POCKETS TO LIFT THE ENTIRE GENSET.
 - WEIGHTS AND CG DETAILS MENTIONED IN THE WEIGHT DATA TABLE REPRESENTS A GENSET WITH STANDARD FEATURES.
 - CG DETAILS MENTIONED IN THE WEIGHT DATA TABLE REPRESENTS WET CONFIGURATION.

D

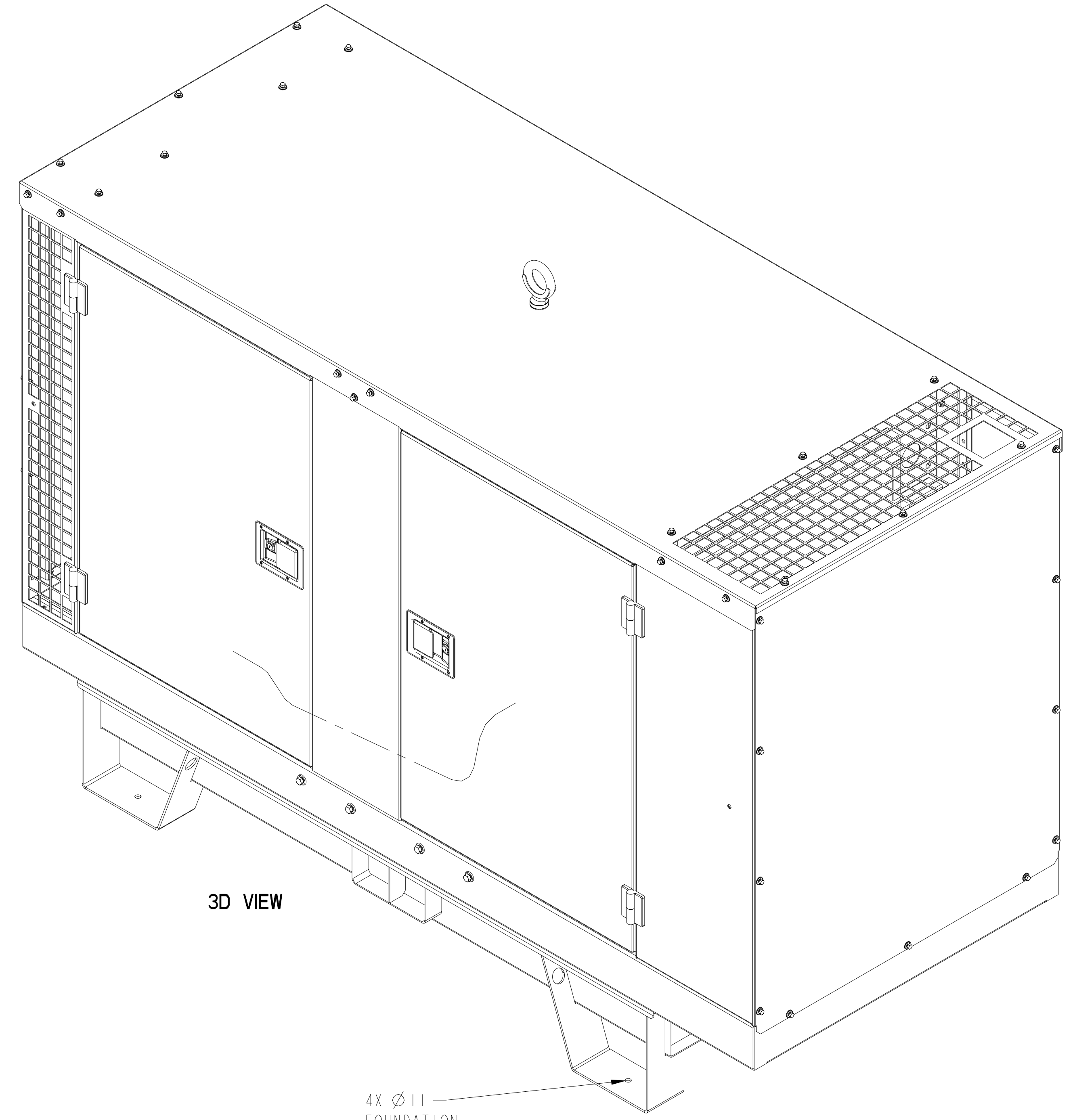
D



C

C

3D VIEW



SINGLE POINT LIFT
HOLE Ø40
C OF G UNDER
LIFTING EYE

B

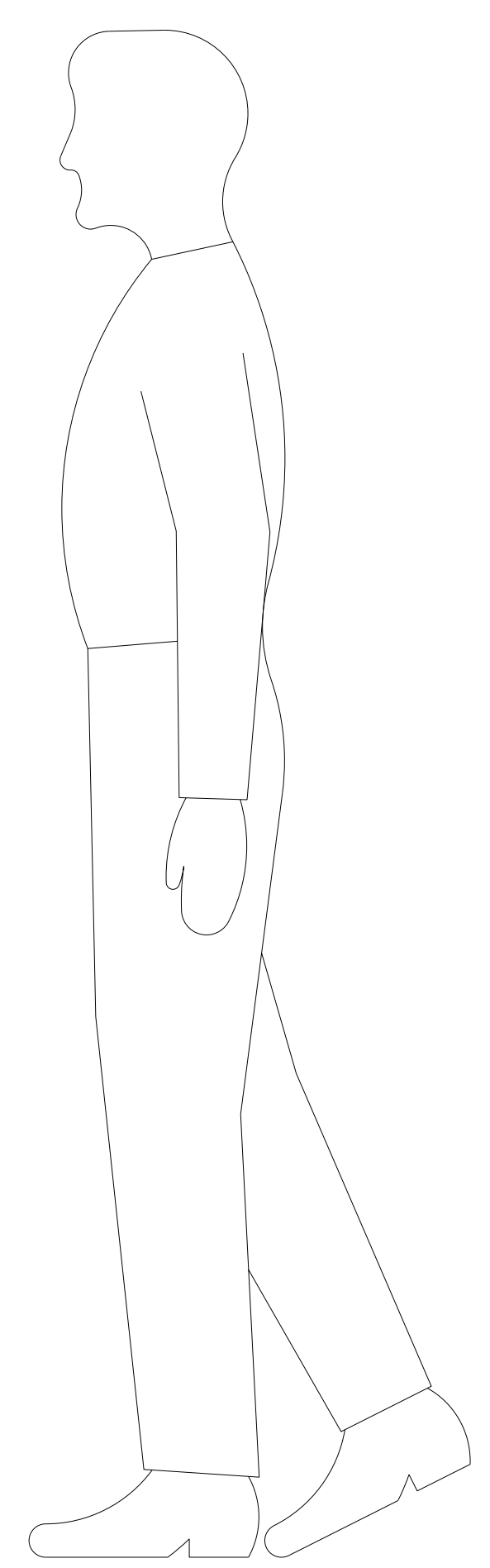
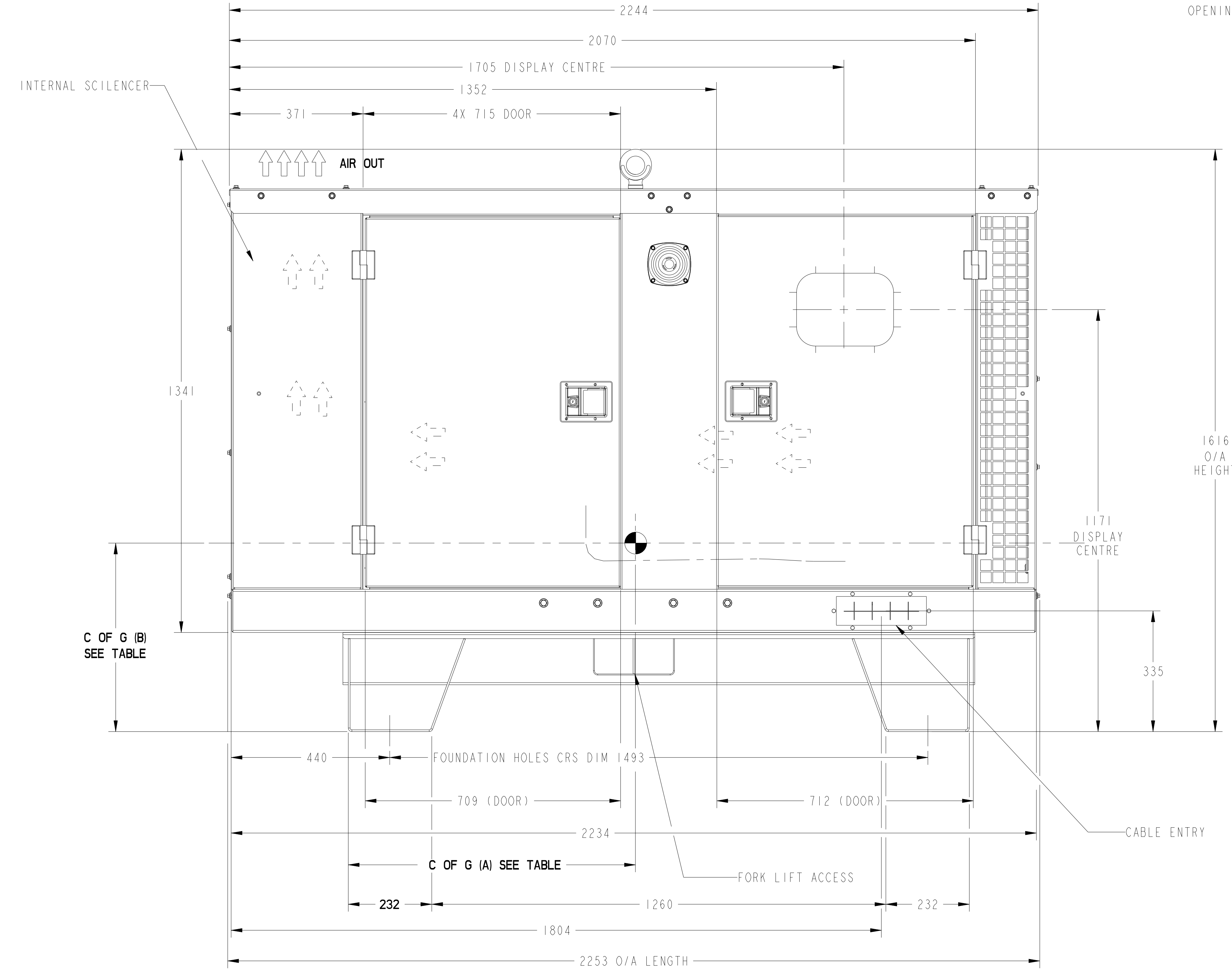
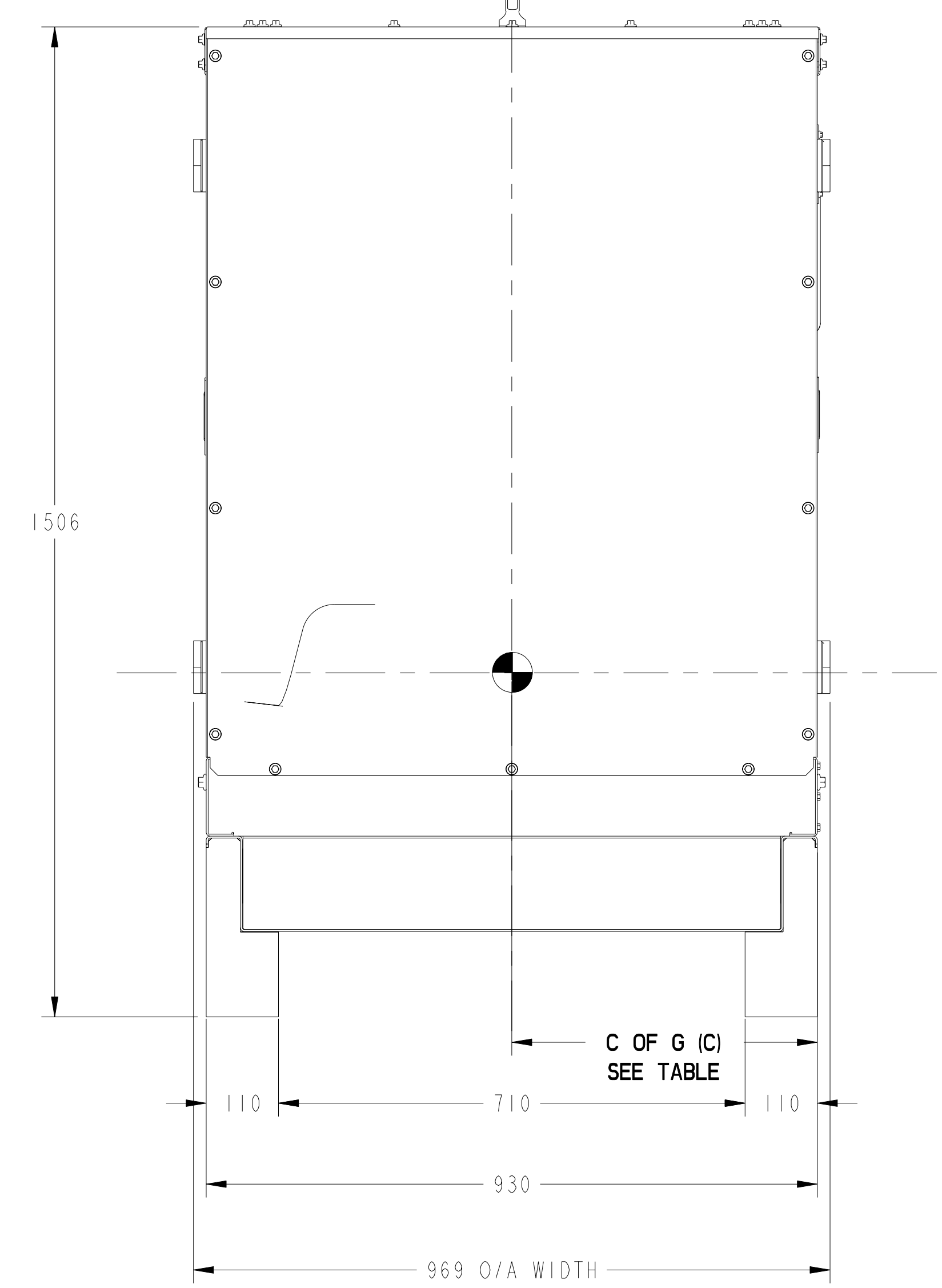
B

B

B

A

A



GENSET MODEL	ENGINE	WEIGHT AND CG DETAILS		CG LOCATION		
		GENSET DRY WEIGHT (Kg)	GENSET WET WEIGHT (Kg)	DIM A	DIM B	DIM C
C33D5	X3.3 G1	1044.5	1219.5	862.6	621.9	462.1
C38D5	X3.3 G1	1057.0	1232.0	869.2	620.8	462.1
C30D6	X3.3 G2	1044.5	1219.5	862.6	621.9	462.1
C35D6	X3.3 G2	1057.0	1232.0	869.2	620.8	462.1

UNLESS OTHERWISE SPECIFIED, ALL DIMENSIONS ARE IN MILLIMETERS

±1	0.00-4.99	+0.157-0.08
±0.8	5.00-9.99	+0.207-0.10
±0.5	10.00-17.49	+0.257-0.13
±0.38	17.50-24.99	+0.307-0.13

ANG TOL: ± 1.0° SCALE: 5/32

DO NOT SCALE PRINT

DATE: 10-12-07

FOR INTERPRETATION FIRST USE IN PROPERTY OF CUMMINS POWER GENERATION GROUP

BY: S_HAWAL
CHKD: M_DIXIT
APVD: Y_JOSHI

DATE: 10-12-07

CHARTIMAN

SITE CODE: CIL

REV: E

0500-4997

CUMMINS POWER GENERATION
GENSET OUTLINE

SHEET 1 OF 1

Part A019X850 B

Description	Legacy Name	External Regulations	Application Status	Release Phase Code	Security Classification	Alternates
OUTLINE,GENSET	0500-4997	None	Production & Service	Production	Public	

Part Specifications :A019X850 B

Name	Description	Legacy Name
A030B356	SPECIFICATION,MATERIAL	CES10903
A024R092	DRAWING,ENGINEERING	0500-4997