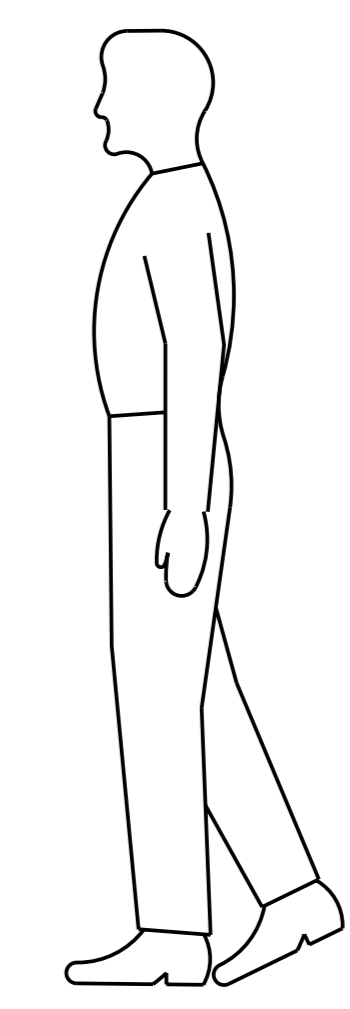
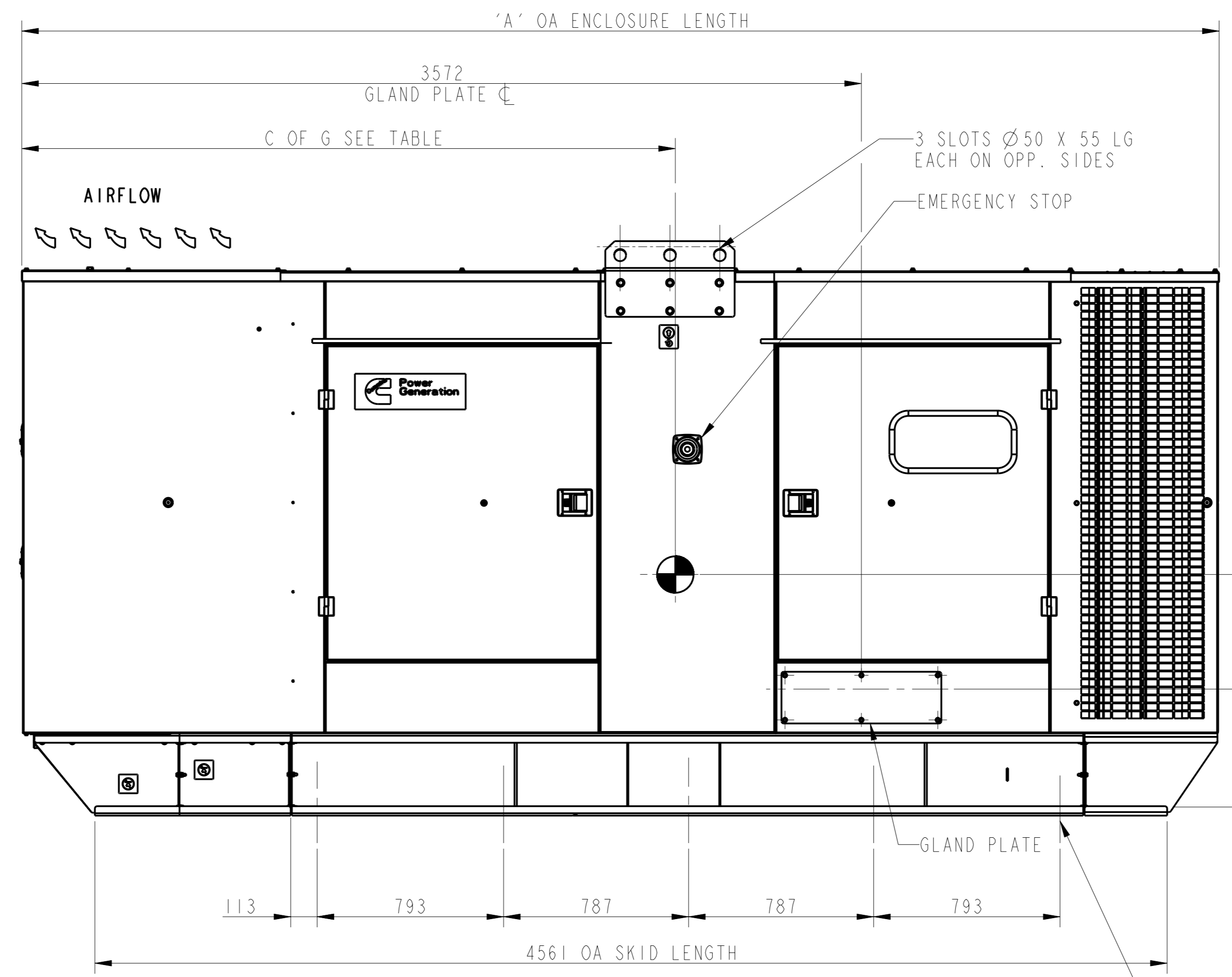
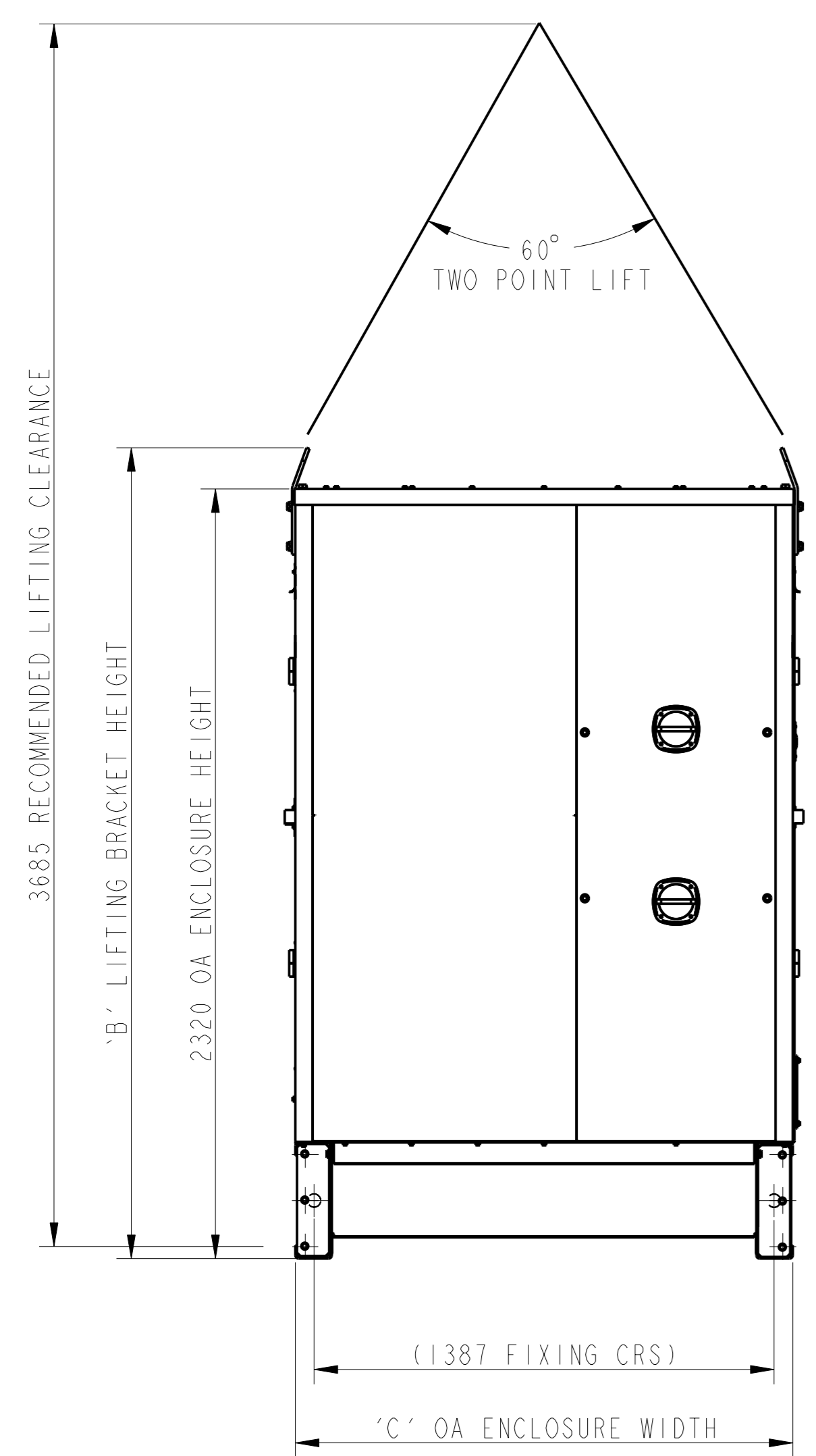
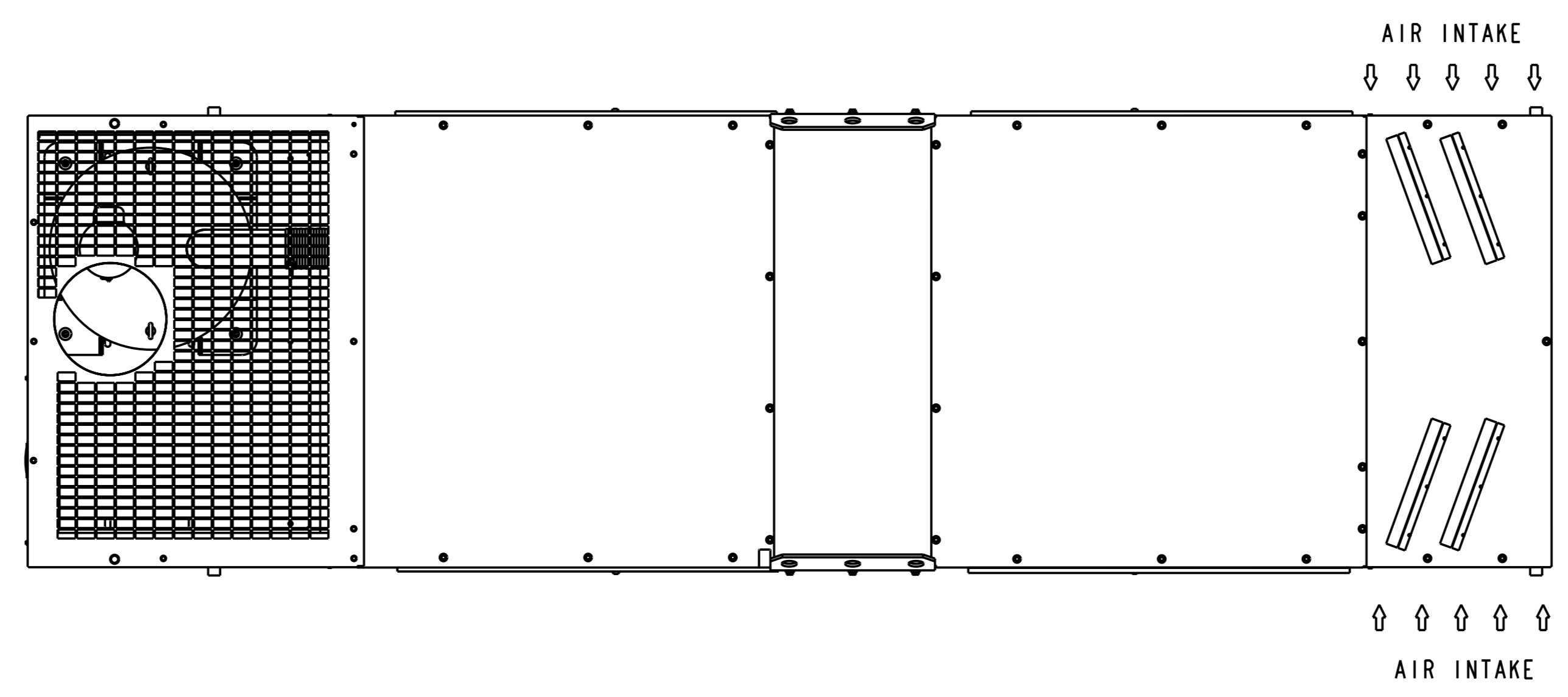


REL NO	REV NO	REVISION	DWN	CHDR	APVD	DATE
ECO-171627	J	1	NAS	JBP	B.WELLS	17AUG17
		2	NAS	JBP	B.WELLS	17AUG17

- INSTALLATION NOTES:
- PLEASE ALLOW THE FOLLOWING PARAMETER CLEARANCES AROUND THE ENCLOSURE:
SIDE (WITH DOOR CLOSED): 1100mm
ABOVE THE CANOPY: 1100mm
 - PLEASE REFER TO MANUAL FOR TWO-POINT LIFTING INSTRUCTIONS
 - HEAVY DUTY AIR CLEANER EXTRA WEIGHT: 27kg
 - CABLE ENTRY DIMS: 260 X 170
 - (NOTE REMOVED)
 - GENSET SHOULD NOT BE LIFTED WITH FUEL IN TANK



GENSET WITH NORMAL DUTY AIRCLEANER & HCS ALTERNATOR (STANDARD SKID)

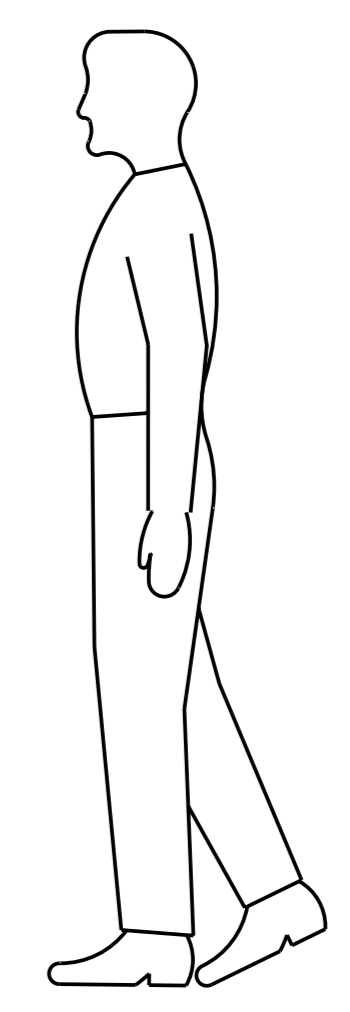
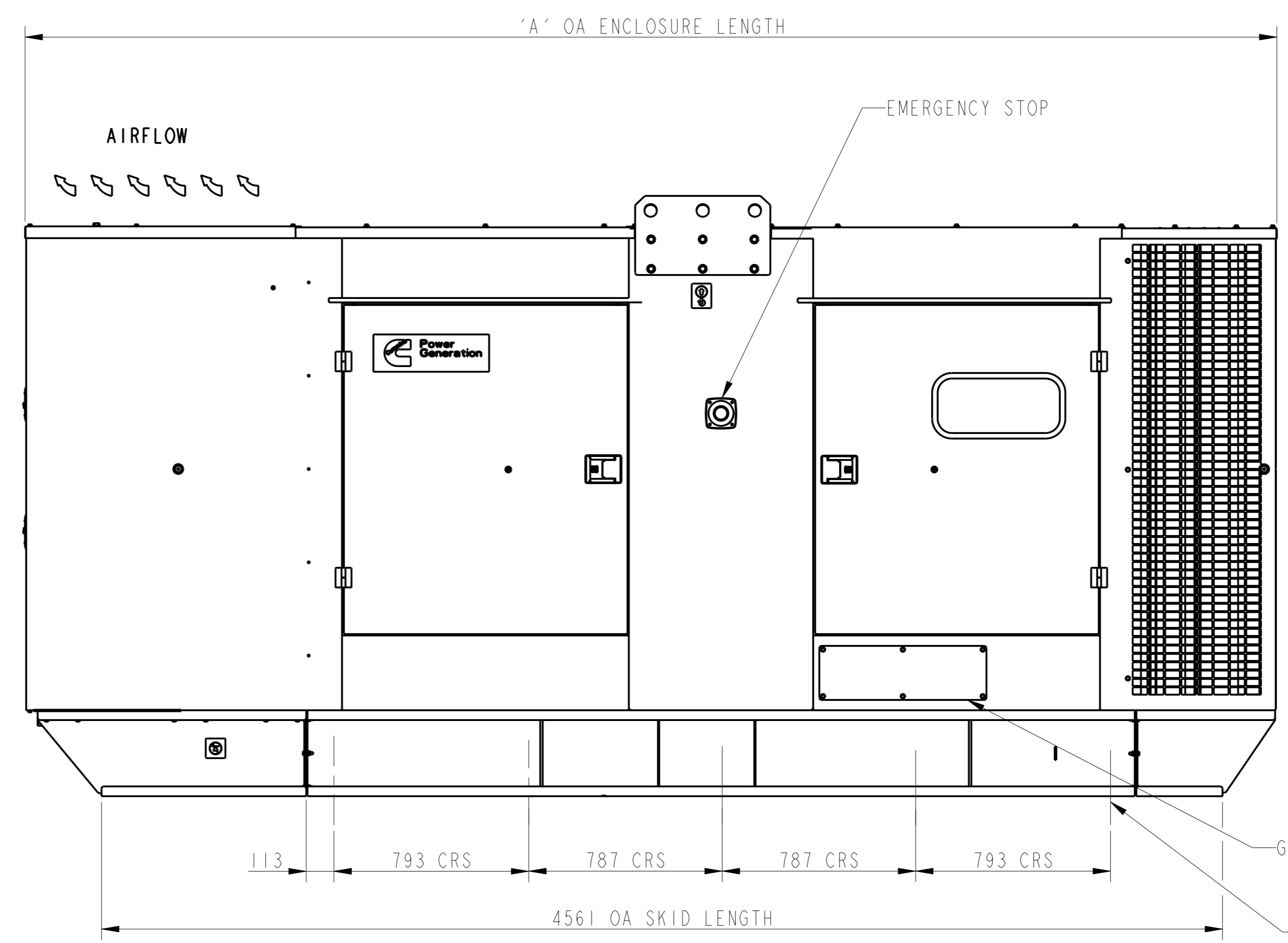
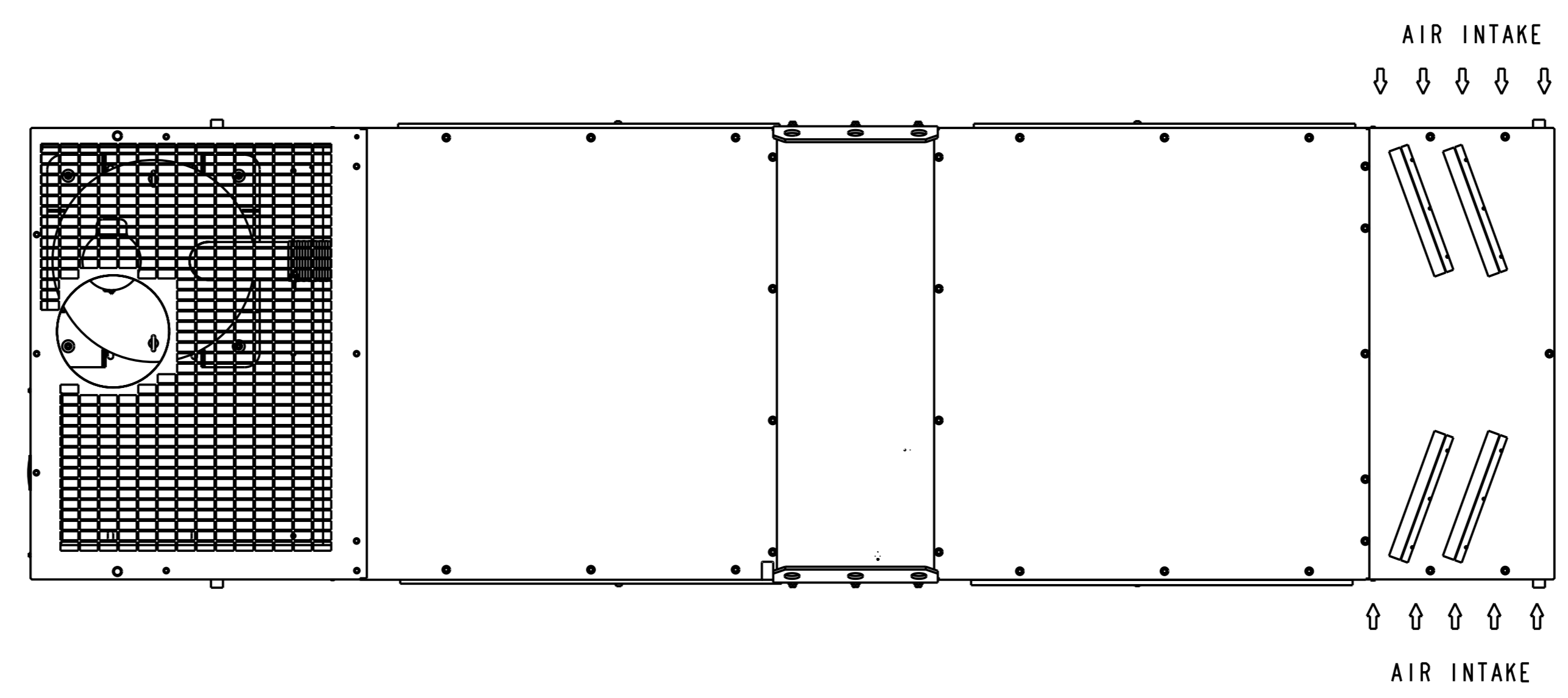
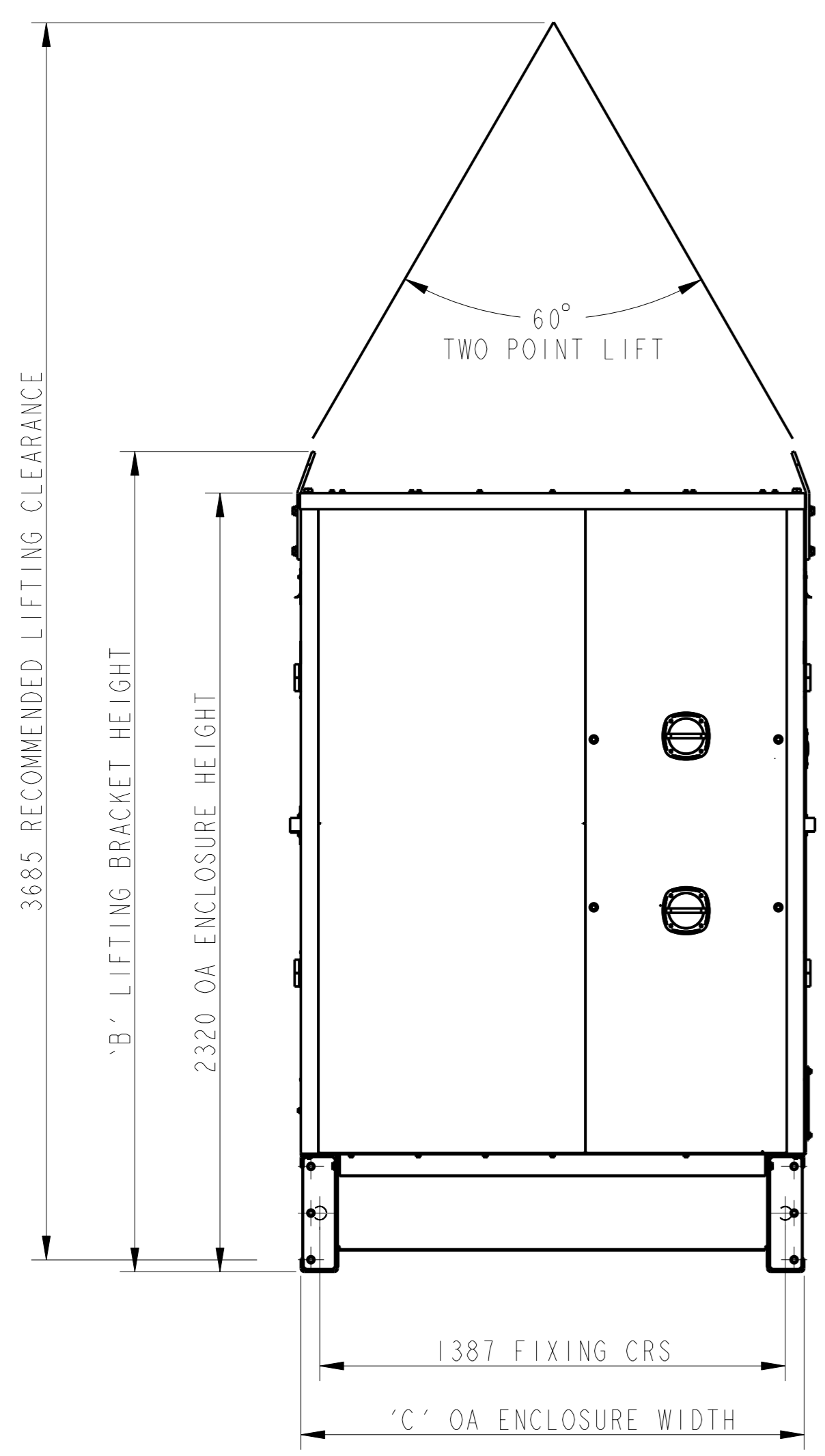
MODEL	ENGINE	DRY WEIGHT (Kg)	WET WEIGHT (Kg)	WET WEIGHT WITH FUEL (Kg)	OIL SUMP CAPACITY (L)	USABLE FUEL CAPACITY (L)	DIMENSION (mm)				C OF G (mm)
							A	B	C	D	
C400D5E	QSX15G8	5057	5274	5866	83	720	5106	2447	1553	969	2602
C450D5E	QSX15G8	5147	5364	5956	83	720	5106	2447	1553	967	2623
C500D5E	QSX15G8	5147	5364	5956	83	720	5106	2447	1553	967	2623
C550D5E	QSX15G8	5277	5494	6086	83	720	5106	2447	1553	964	2667
C450D6E	QSX15G9	5147	5364	5956	83	720	5106	2447	1553	967	2623
C500D6E	QSX15G9	5277	5494	6086	83	720	5106	2447	1553	964	2667

DO NOT SCALE PRINT	TOLERANCE UNLESS STATED ALL DIMENSIONS IN MM	SIM TO	DRAWN	N SHANKHPAL		CUMMINS POWER GENERATION
	ANG TOL ± 1.0°	THIRD ANGLE PROJECTION	CHECK	V S PRASDH		
DRAWN TO SCALE OF 1:15	FOR INTERPRETATION OF DIMENSIONS AND TOLERANCES, SEE 83-8888	DATE	21MAR08	APPR	P SACHDEVA	TITLE
						ENCLOSURE OUTLINE
						SITE CODE
						PGK
						DWG SIZE
						DWG NO
						0500-5079
						CAD SHEET
						1 OF 4

REL NO	LTR	NO	REVISION	DR	CHKR	APPROVED	DATE
ECO-171627	J	--	--	NAS	JBP	B. WELLS	17AUG17

D
C
B
A

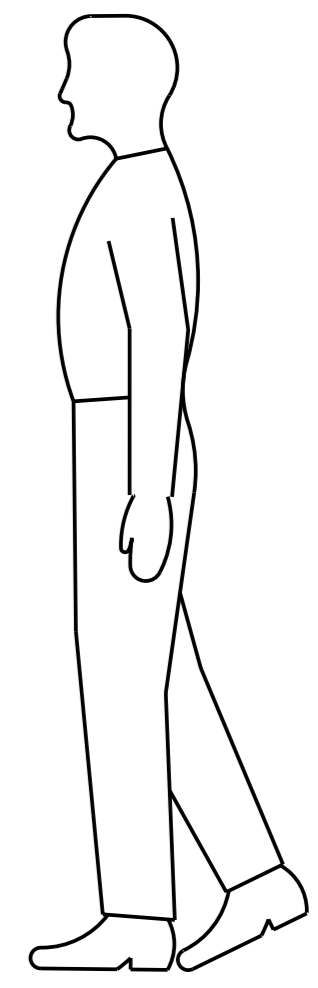
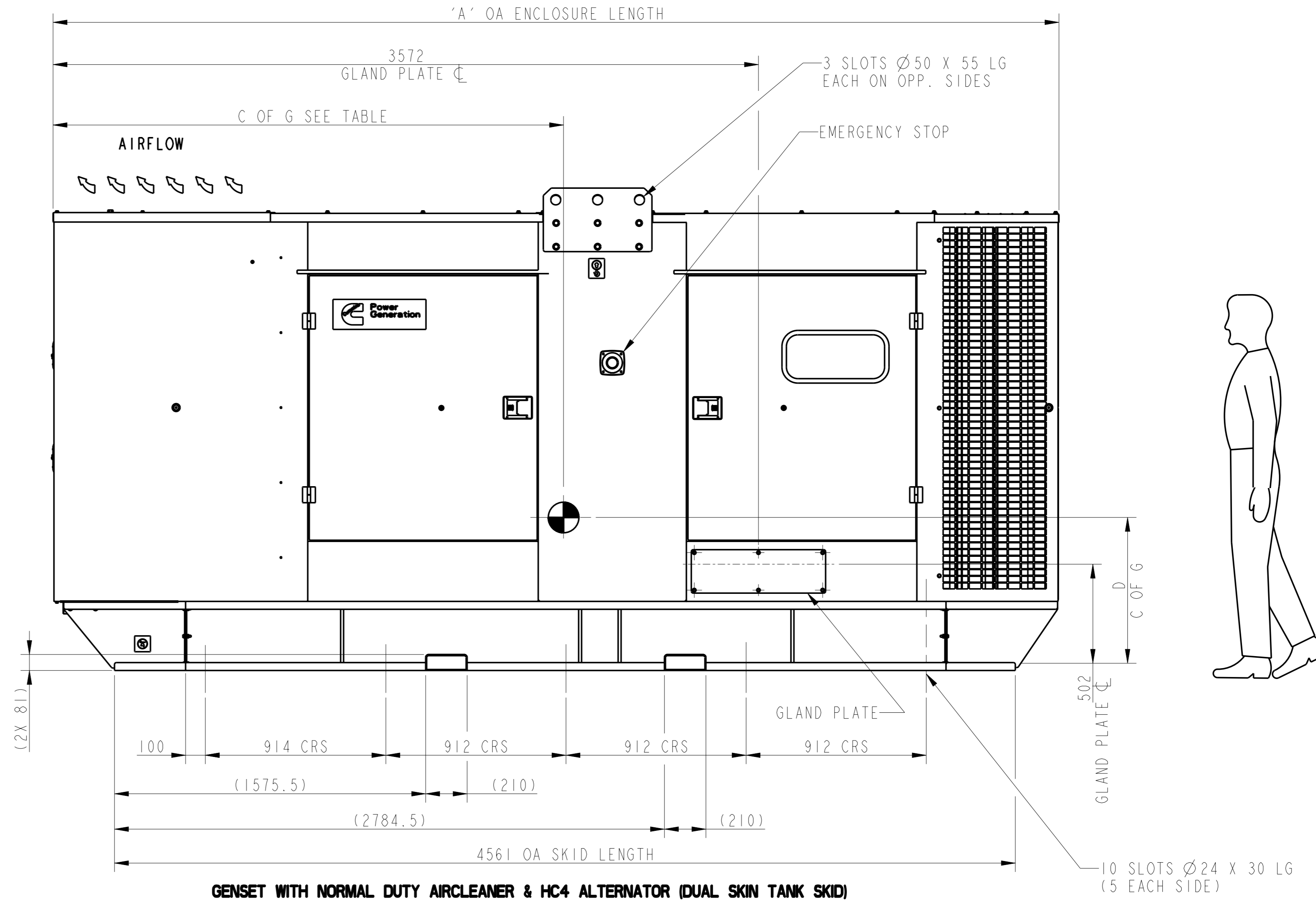
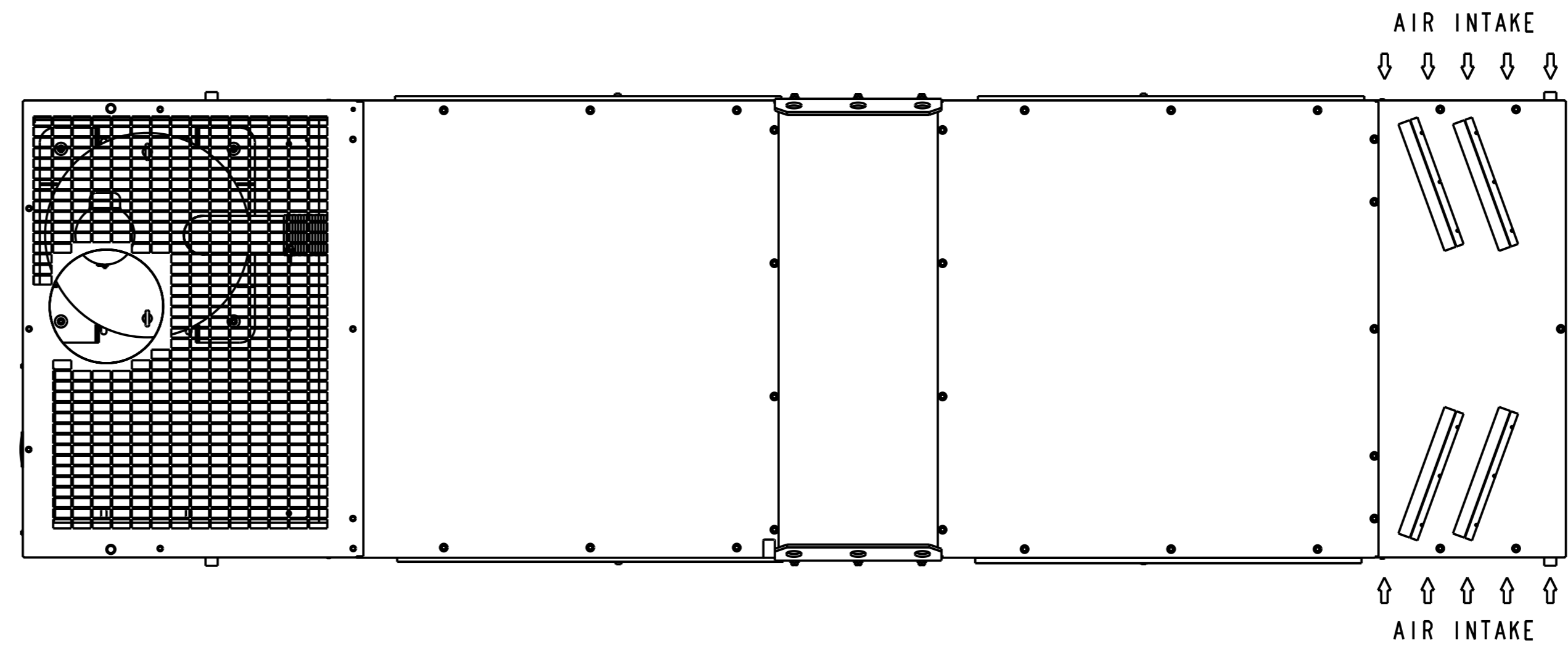
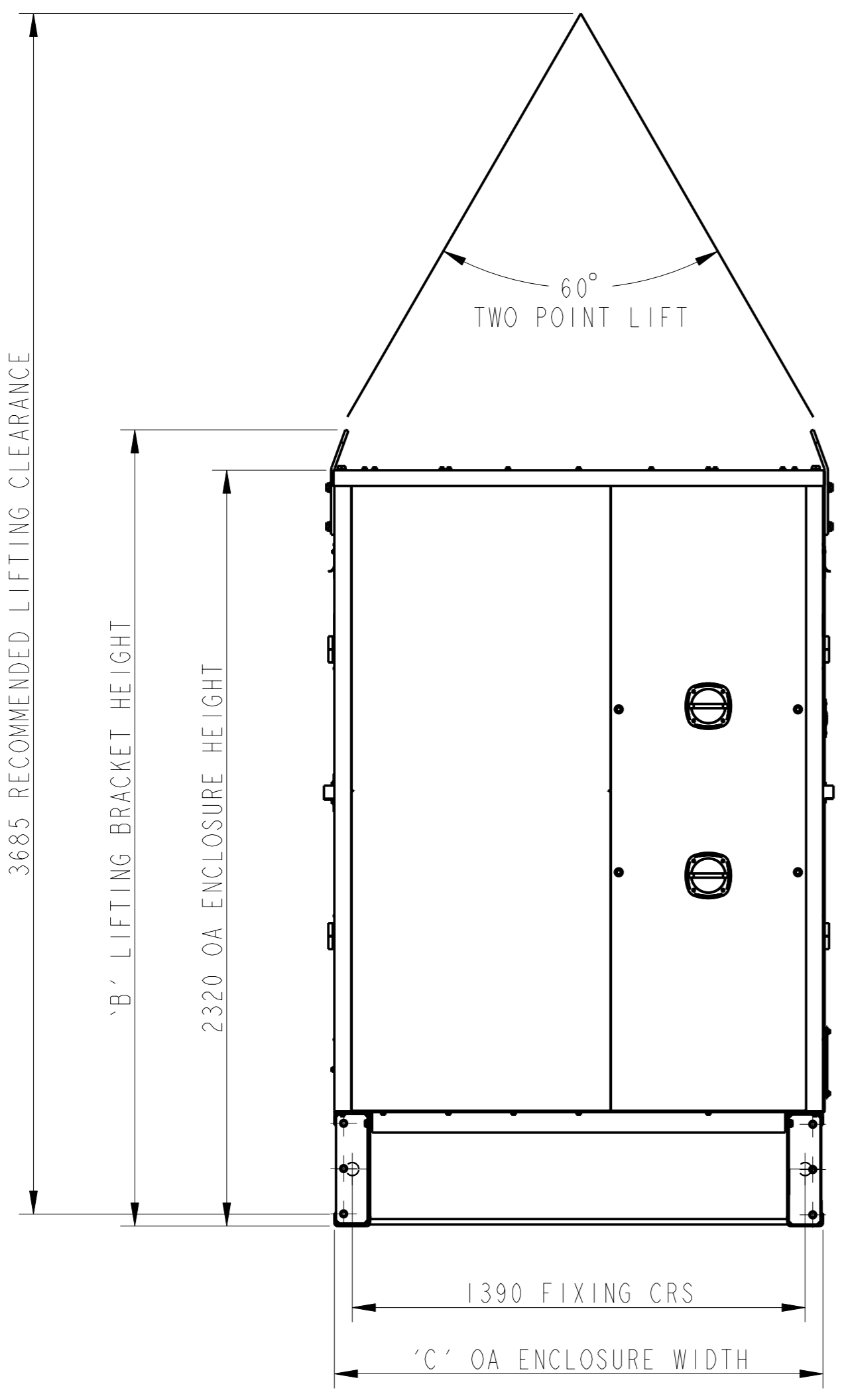
D
C
B
A



GENSET WITH NORMAL DUTY AIRCLEANER & HC4 ALTERNATOR (STANDARD SKID)

DO NOT SCALE PRINT	TOLERANCE UNLESS STATED ALL DIMENSIONS IN MM	SIM TO	DRAWN		CUMMINS POWER GENERATION
	DIM X ± 3 X, X ₁ ± 1 X, X ₂ ± 0.5	SCOTTED FROM	CHECK		
ANG TOL ± 1.0°	0.00 - 4.99 +0.10/-0.08 5.00 - 9.99 +0.20/-0.10 10.00 - 24.99 +0.25/-0.13 25.00 - 49.99 +0.30/-0.15	THIRD ANGLE PROJECTION THIS DOCUMENT IS THE INTELLECTUAL PROPERTY OF CUMMINS INC. AND SHALL NOT BE DISCLOSED TO OTHERS IN HARD COPY OR ELECTRONIC FORM, REPRODUCED BY ANY MEANS, OR USED FOR ANY PURPOSE WITHOUT WRITTEN CONSENT OF CUMMINS INC.	APPR	DATE	TITLE
DRAWN TO SCALE OF 1:15		FOR INTERPRETATION OF DIMENSIONS AND TOLERANCES, SEE 83-8888	P SACHDEVA	21MAR08	ENCLOSURE OUTLINE
		FIRST USED ON	PGK	DWG SIZE	DWG NO
		QSX15	AI	0500-5079	CAD SHEET 2 of 4

D
C
B
A



GENSET WITH NORMAL DUTY AIRCLEANER & HC4 ALTERNATOR (DUAL SKIN TANK SKID)

DO NOT SCALE PRINT	TOLERANCE UNLESS STATED ALL DIMENSIONS IN MM	SIM TO	DRAWN		CUMMINS POWER GENERATION
	DIM X ± 3 X, X ± 1 X, X ± 0.5	- - THIRD ANGLE PROJECTION THIS DOCUMENT IS THE INTELLECTUAL PROPERTY OF CUMMINS INC. AND SHALL NOT BE DISCLOSED TO OTHERS IN ANY MANNER, OR USED FOR ANY PURPOSE WITHOUT WRITTEN CONSENT OF CUMMINS INC.	N SHANKHPAL V S PRASDH P SACHDEVA		
ANG TOL ± 1.0°	0.00 - 4.99 ± 0.10/0.08 5.00 - 9.99 ± 0.20/0.15 10.00 - 24.99 ± 0.30/0.15	DATE	DATE	SITE CODE	TITLE
SCALE OF 1:15	FIRST USED ON QSX15	21MAR08	21MAR08	PGK	ENCLOSURE OUTLINE
				DWG SIZE	DWG NO
				AI	0500-5079
					CAD SHEET 4 OF 4

Part A024H090 J

Description	Legacy Name	External Regulations	Application Status	Release Phase Code	Security Classification	Alternates
OUTLINE,ENCLOSURE	0500-5079	CE	Production Only	Production	Confidential	

Part Specifications :A024H090 J

Name	Description	Legacy Name
A030B356	SPECIFICATION,MATERIAL	CES10903
A024B668	DRAWING,ENGINEERING	0500-5079